

# Technical Data Sheet

## SATURN®-4

Extra large projector fixture



### Description

These high efficiency projector fixtures can be used in a variety of applications, including the illumination of building facades, shop windows, industrial areas and bridges, hotels, gardens and parks, museums, galleries and monuments, theatre stages, open air events, amusement parks and recreation centres. The compact and functional design includes models that range from 450W - 1000W metal halide or 600W - 1000W high pressure sodium.

### Construction

The housing is formed of die-cast aluminum, and includes a steel yoke mount bracket with an adjustable angle of direction.

### Finish

The housing is finished in a durable polyester powder coat in bronze.

### Diffuser

The fixture features a tempered glass lens and a specular pure anodized aluminum reflector.

### Electrical

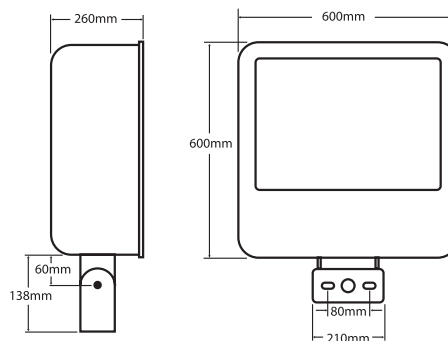
All models are CSA approved for outdoor use only, and are suitable for mounting within 1.2m (4ft) off the ground. All models are wired with UL listed or CSA approved CWA higher power factor HID ballasts, for voltages ranging from 120V-600V, 60Hz operation. Power supply connections can be made with the included 3.5 ft supply cord (16/3 90C 600V rated).

### Options

Options include photocontrols. Ballast upgrades and options are available, including other voltages or lamp combinations, upon request (contact factory).

### Ordering Information

Model	Lamp Type	Voltage	Housing Colour	Optional Photocontrol
Saturn - 4	1000MH	120V 347V	Bronze	PC ES (external swivel)



Made in Canada



**Symban Lighting Corp**  
99 First Gulf Blvd. Brampton, ON  
T. 905.450.5999 | F. 905.450.6665