

Technical Data Sheet

METAL HALIDE

Probe Start 1000W Metal Halide Lamps

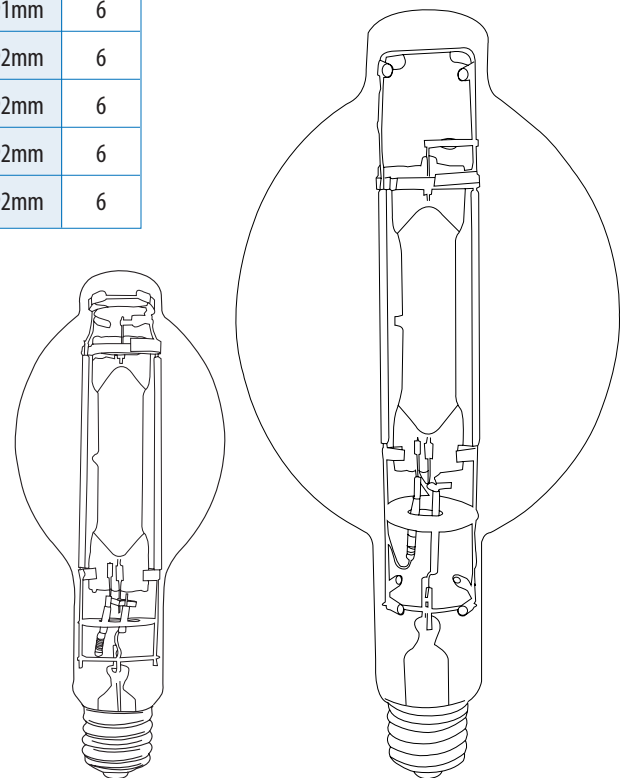


Technical/Electrical Data

Item Number	Description	Wattage	Colour Temperature	CRI	Life	Light Output	ANSI	Operating Position
J18000-003	MH1000/U	1000W	4,000K	65	12,000 hrs	105,000 lm	M47/E	universal
J18020-003	MH1000/C/U	1000W	3,700K	65	12,000 hrs	100,000 lm	M47/E	universal
J18140-003	MH1000/U/BT37	1000W	4,000K	65	12,000 hrs	105,000 lm	M47/E	universal
J18150-003	MH1000/U/BT37/BLUE	1000W	blue	-	5,000 hrs	-	M47/E	universal
J18153-003	MH1000/U/BT37/GREEN	1000W	green	-	5,000 hrs	-	M47/E	universal
J18156-003	MH1000/U/BT37/MAGENTA	1000W	magenta	-	5,000 hrs	-	M47/E	universal

Physical Characteristics

Item Number	Description	Lamp	Base	Finish	Diameter	M.O.L.	Case Qty.
J18000-003	MH1000/U	BT56	E39	clear	181mm	391mm	6
J18020-003	MH1000/C/U	BT56	E39	coated	181mm	391mm	6
J18140-003	MH1000/U/BT37	BT37	E39	clear	122mm	292mm	6
J18150-003	MH1000/U/BT37/BLUE	BT37	E39	clear	122mm	292mm	6
J18153-003	MH1000/U/BT37/GREEN	BT37	E39	clear	122mm	292mm	6
J18156-003	MH1000/U/BT37/MAGENTA	BT37	E39	clear	122mm	292mm	6



Symban Lighting Corp.
 99 First Gulf Blvd. Brampton, ON
 T. 905.450.5999 | F. 905.450.6665

All specifications are subject to change without notice. Actual performance may vary depending on operating conditions.