

Technical Data Sheet

Jupiter[®] -2



Description

These high efficiency large wallpak fixtures can be used for outdoor wall mount applications, including parking areas, loading docks, security lighting, waterfronts, recreational areas, and perimeter lighting. The functional design includes models that range from 250W - 400W metal halide or 250W - 400W high pressure sodium.

Construction

The housing is formed of die-cast aluminum and includes ½" conduit entries on the top (2), sides (2), and back (2). The side hinged door includes a rubber gasket.

Finish

The housing is finished in a durable polyester coat, in bronze or white colours.

Diffuser

The fixture features a specular pure anodized aluminum reflector inside a prismatic glass lens.



Electrical

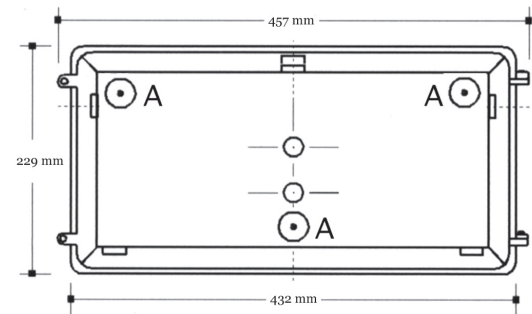
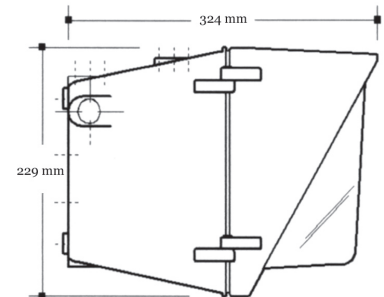
All models are CSA approved for outdoor use, and are wired with UL listed or CSA approved CWA high power factor ballasts for voltages ranging from 120V - 600V, 60 Hz operation.

Options

Options include photocontrols and wire guards.

Ordering Information

Model	Lamp Type	Voltage	Optional Photocontrol	Housing Colour
Jupiter - 2	250W - MH	120V	PC IB (internal button)	Bronze White
	400W - MH	208V		
	250W - HPS	240V	PC ES (external swivel)	
	400W - HPS	277V		
		347V		
		480V		
		600V		



Made in Canada



Symban Lighting Corp
 99 First Gulf Blvd. Brampton, ON
 T. 905.450.5999 | F. 905.450.6665