

Technical Data Sheet

Jupiter[®] -Mini



Description

These high efficiency small wallpak fixtures can be used for outdoor wall mount applications, including parking areas, security lighting, patios, entrances, walkways and perimeter lighting. The compact and functional design includes models that range from 35W - 70W high pressure sodium.

Construction

The housing is formed of architectural weather-resistant polycarbonate, with a die-cast aluminum base, and includes a 1/2" conduit entry.

Finish

The housing is finished in a durable polyester powder coat in bronze or white colours.

Diffuser

The fixture features a specular pure anodized aluminum reflector.

Electrical

All models are CSA approved for outdoor use, and are wired with UL listed or CSA approved reactor-type normal power factor ballasts, for 120V, 60 Hz operation.

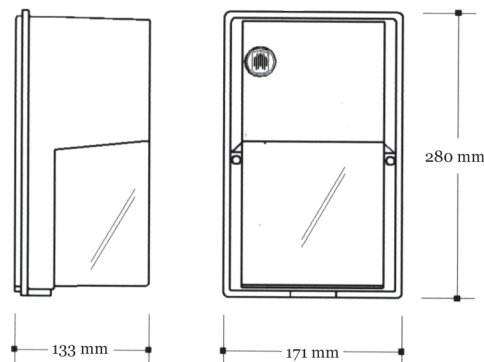
Options

Options include high power factor capacitors and photocontrols.



Ordering Information

Model	Lamp Type	Optical HPF Capacitor	Optical Photocell	Housing Colour
Jupiter -Mini	35W - HPS - 120V 50W - HPS - 120V 70W - HPS - 120V	HPF	PC	Bronze White



Made in Canada



Symban Lighting Corp
99 First Gulf Blvd. Brampton, ON
T. 905.450.5999 | F. 905.450.6665